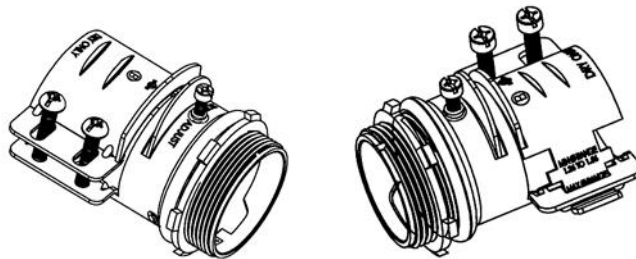




MC-FLEXFIT™ ADJUSTABLE STOP MC CONNECTORS

680-UI Series

Installation Instructions

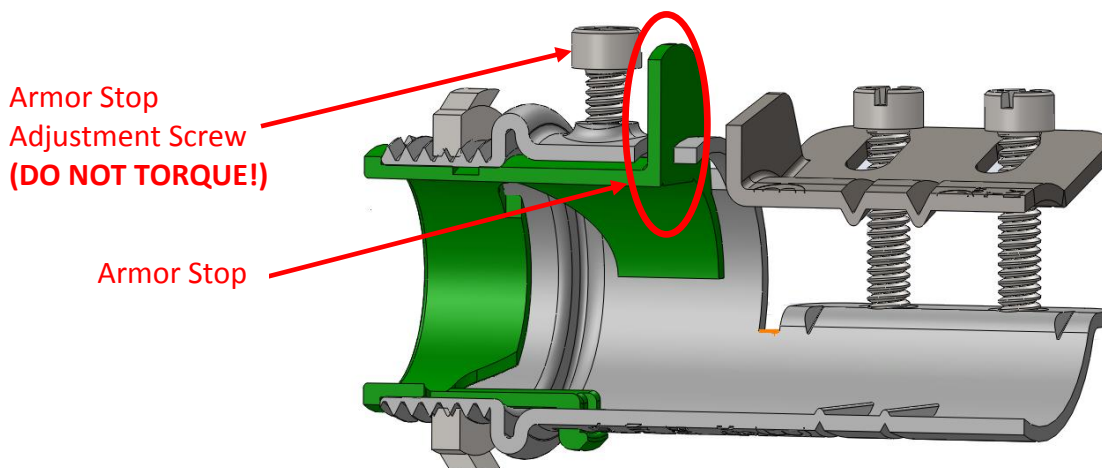


Application

Fully adjustable armor stop fitting for connection of MC Cable to an electrical panel enclosure in dry location only. Listed per the requirements of UL514B. Patented.

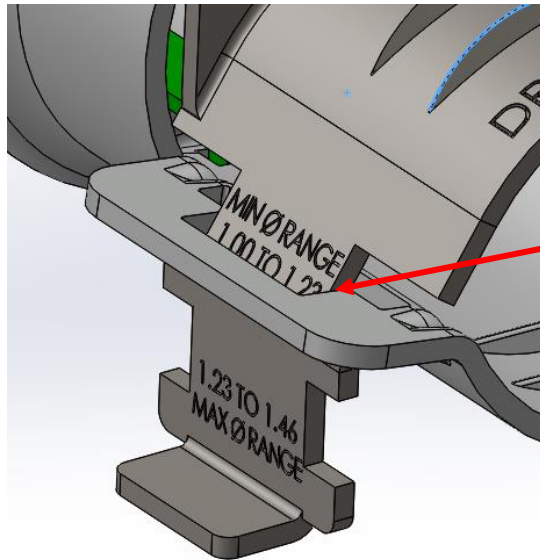
Preparation and Installation

- 1) Select proper connector range for MC Cable being used. Prepare MC cable by stripping off required length of armor using approved tools and methods. Insert cable bundle into fitting without placing armor under strap. Carefully advance the Armor Stop Screw to lower the Armor Stop. Lower the Armor Stop just enough so that the wire bundle can easily pass through the throat of the fitting, while preventing the cable armor from passing through. The Adjustable Armor Stop is designed to prevent the cable armor from passing through the throat of fitting. **IMPORTANT!** - Over tightening the Armor Stop Screw onto the cable bundle may cause conductor damage.



MC-FLEXFIT™ ADJUSTABLE STOP MC CONNECTORS

- 2) Fully insert cable so that armor is against the stop. Adjust strap onto body according to the O.D. of cable armor being installed. Cable diameter ranges are indicated on the strap.



Set strap to desired cable range and lock in place by holding against notch on body.

- 3) Make sure cable is completely secure inside connector by twisting connector on cable. If the cable is still loose, re-tighten strap screws to 35 in-lbs. **DO NOT OVERTORQUE STRAP SCREWS!**
- 4) Insert connector assembly in knockout, assemble locknut, and tighten handtight + ¼ turn.